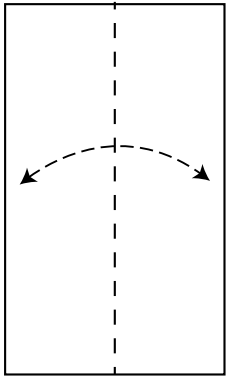
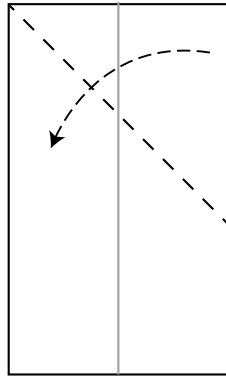


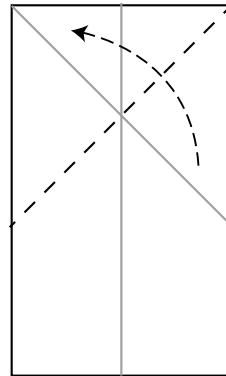
Paper fold Jumping Frog



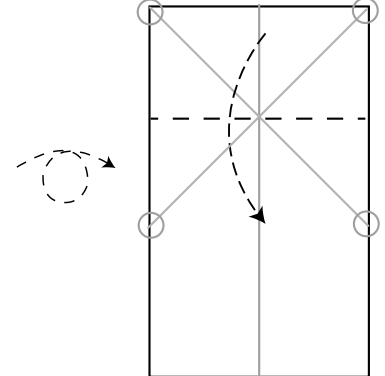
1. Fold in half length wise. Then unfold



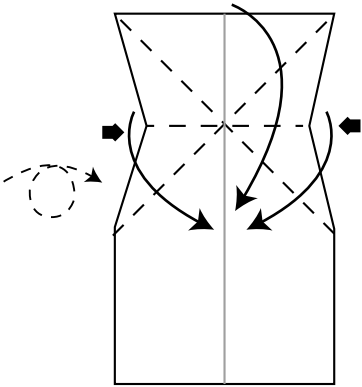
2. Bring top edge to side edge. Then unfold



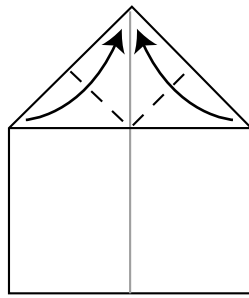
3. Bring top edge to side edge. Then unfold and turn over



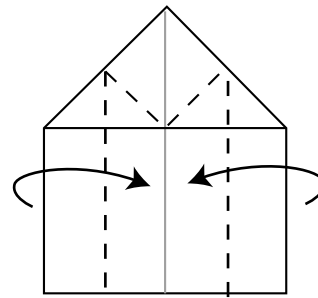
4. Bring top edge to place where diagonal creases reach sides. The fold will pass through the point where the diagonals cross. Unfold and turn over



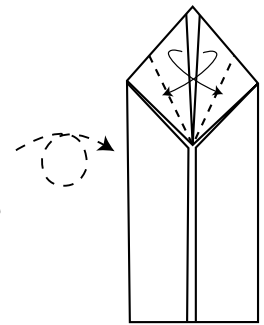
5. Push in the center of where the all the paper creases intersect. The edges will fold up on the prepared lines. Push the sides inward and the top down on top of them. Fold flat.



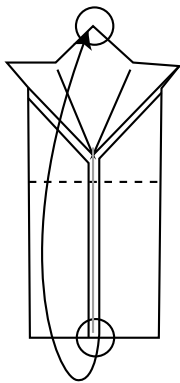
6. Fold the little flaps in half upward They will become the front legs.



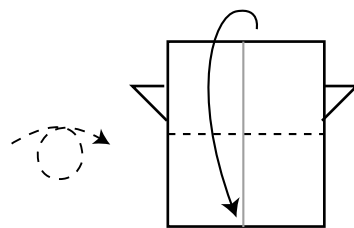
7. Bring side edges to meet at the centre crease



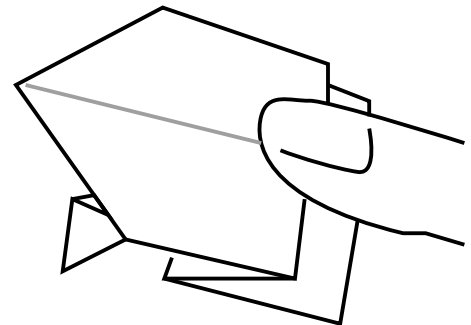
8. Fold front leg flaps in half downward and outward



9. Bring bottom edge to tip of nose



10. Fold upper flap in half downward. Turn it over.



11. Finished Frog. Push down on rear edge. As finger slips off the frog jumps